



COMMANDER SERIES HEAVY-DUTY SPREADER PLATES

WOLF RANGE COMPANY



Model FS-36-A
Shown with optional
single deck flow thru high shelf

BASIC MODELS:

FS-36 36" stainless steel work surface with manifold panel

FS-36-A 36" stainless steel work surface with full apron front

For widths of 12", 18", 24", use FS-0-0-WS models.

KEY FEATURES — ALL MODELS:

- Stainless steel front, top work surface, bullnose and stub back. **Designed to be supported by adjacent equipment.**
- 1 1/4" diameter front gas manifold.
- One year limited parts and labor warranty.

OPTIONAL FEATURES — ALL MODELS:

- Stainless steel finishing back.
- Common stainless steel bullnose up to 120" wide. (Provide a drawing showing the position of each piece of equipment in the line-up with the order.)
- Rear gas connection. (Specify 3/4" or 1 1/4".)

DESCRIPTION:

36" wide heavy-duty spreader plate with (front manifold panel) (full length apron front), Wolf Model No. _____. Stainless steel front, top work surface, bullnose and stub back. 1 1/4" diameter front gas manifold. For widths of 12", 18", 24" use FM & FB models.



Design Certified by the American Gas Association
Design Certified by the Canadian Gas Association
Listed by the National Sanitation Foundation

Approved by _____

Date: _____

MODEL: COMMANDER SERIES Heavy-Duty Spreader Plates

WOLF RANGE COMPANY

Wolf Range Company, LLC
19600 S. Alameda St., Compton, CA 90221-6291
P.O. Box 7050, Compton, CA 90240-7050
(310) 637-3737 • FAX (310) 637-7931 • (800) 366-WOLF
Customer Service (888) 639-9653 • www.WOLFRANGE.com



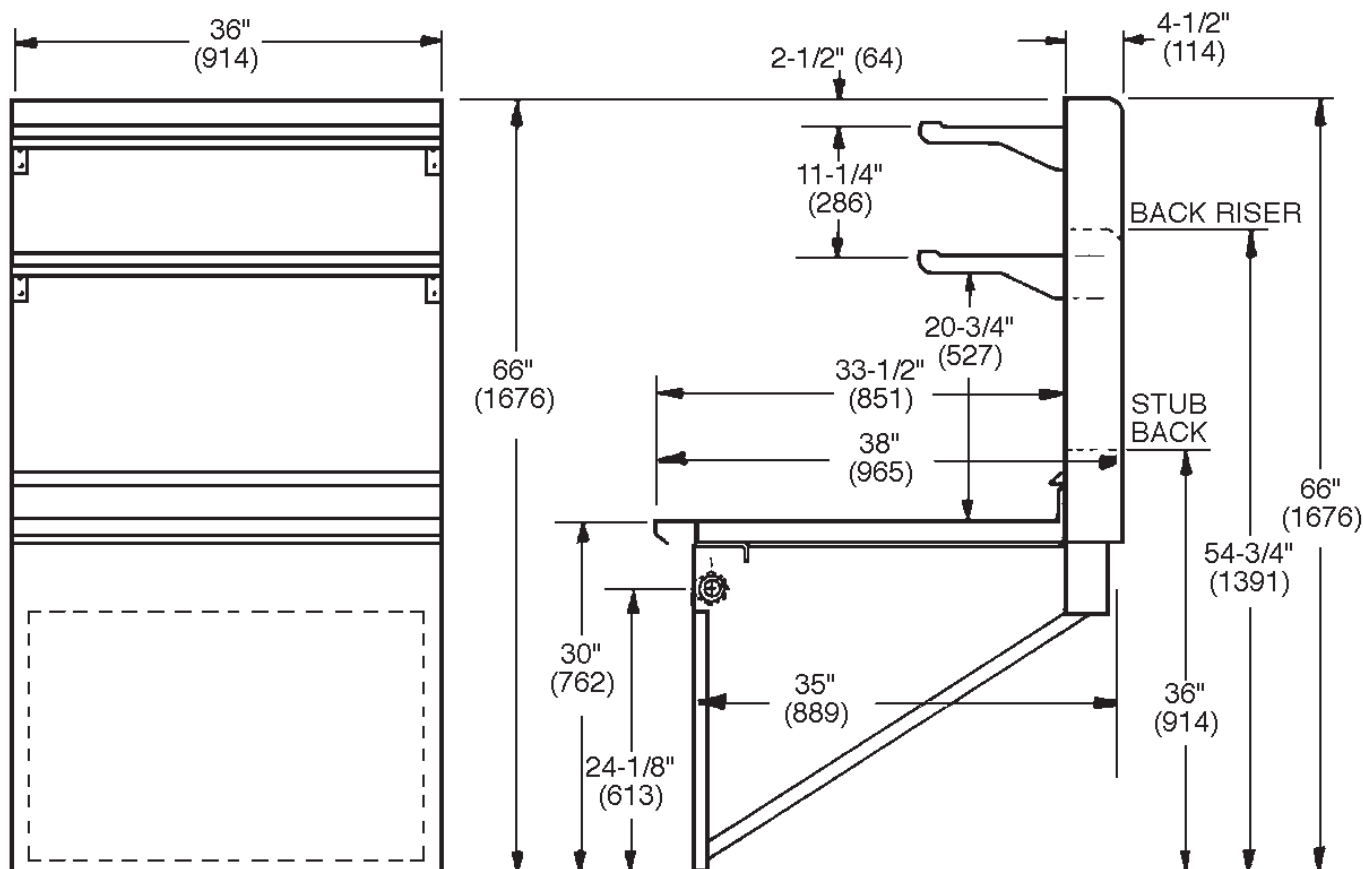
Commander Series Heavy-Duty Spreader Plates

ACCESSORIES — ALL MODELS:

- 26½" or 37¾" high stainless steel back riser. (Common back risers available up to 96" wide.)
- 26½" high single deck high shelf. (Common high shelves available up to 96" wide.)
- 26½" high single deck flo-thru high shelf. (Common high shelves available up to 96" wide.)
- 37¾" high double deck high shelf. (Common high shelves available up to 96" wide.)
- Gas pressure regulator (specify size and type of gas).
- Flexible gas hose with quick disconnect and restraining device. Consult price book for available sizes.

INSTALLATION REQUIREMENTS:

1. Heavy-duty spreader plates are designed to be supported by adjacent pieces of equipment.
2. Line up and connect the gas manifolds to adjoining ranges.
3. Secure bullnose to ranges on either side with bolts provided.
4. Bolt back of spreaders to adjoining ranges.



NOTE: In line with its policy to continually improve its product, Wolf Range Company reserves the right to change materials and specifications without notice.
This appliance is manufactured for commercial use only and is not intended for home use.